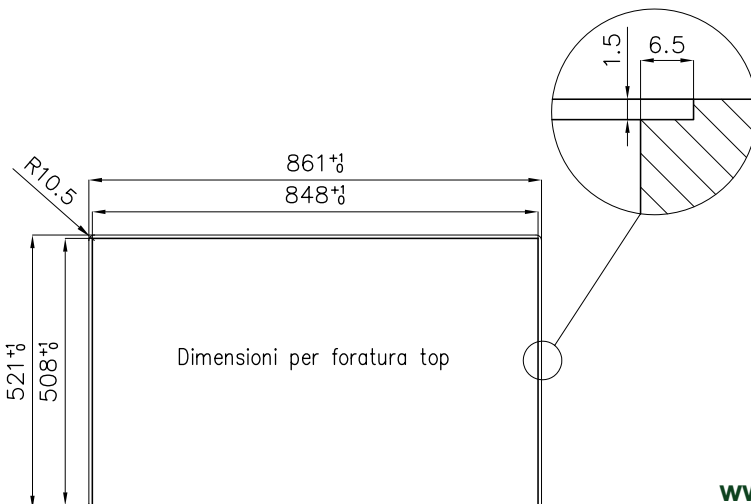
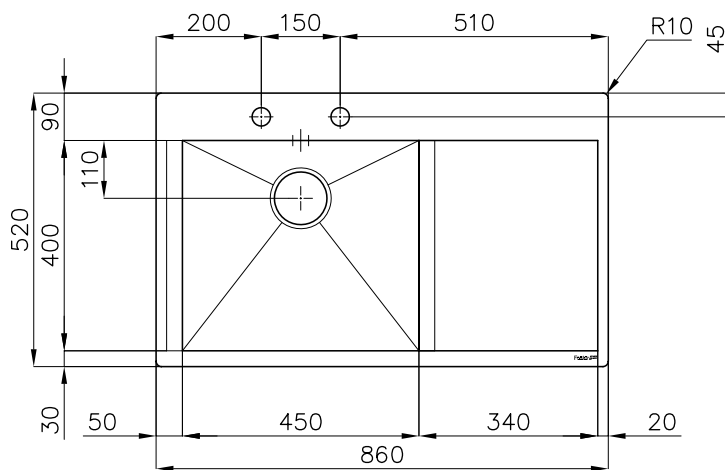
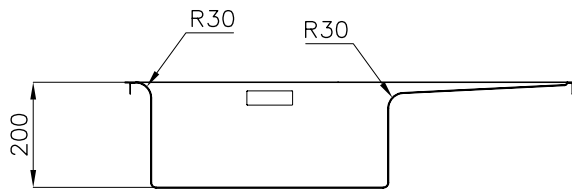


New Wave 86.1V.FT

FT

cod. 1414 001 **dx** - 1414 002 **sx**



www.fosterspa.com